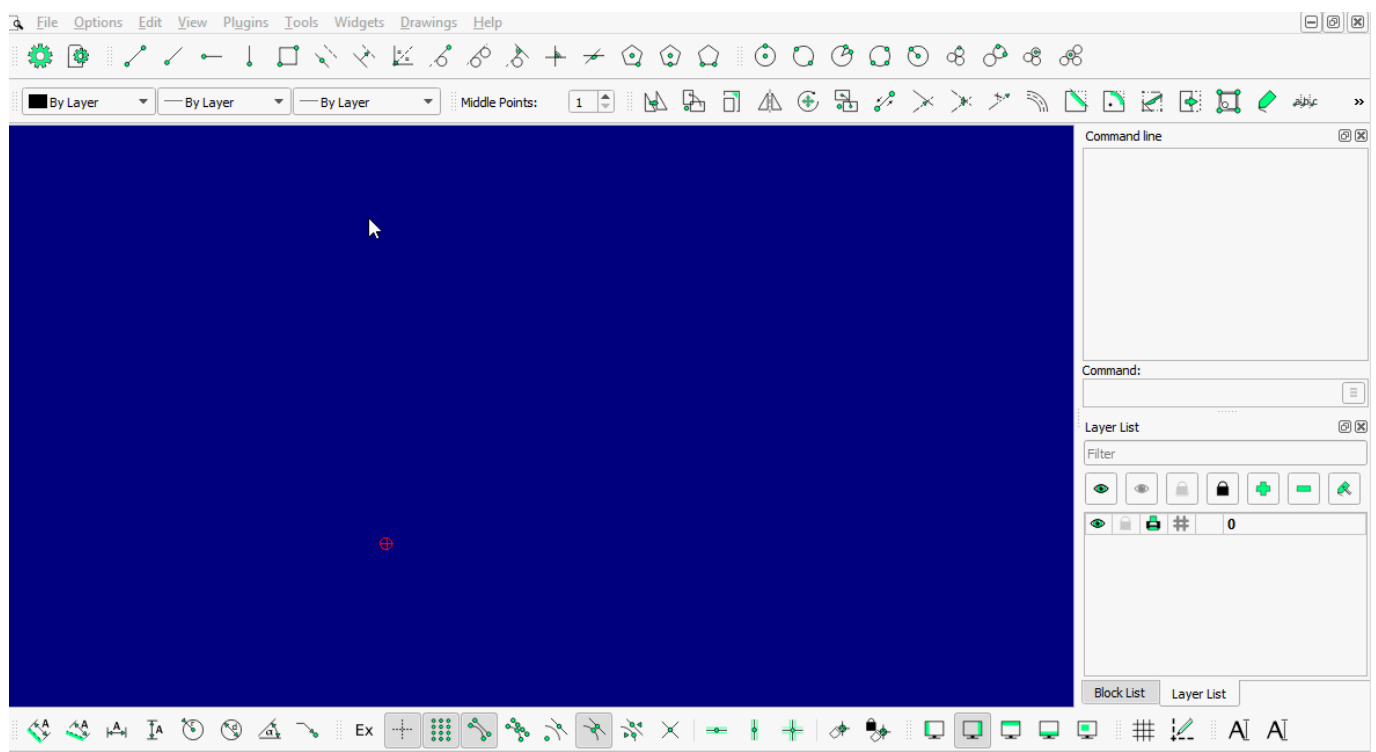


Animated Tutorials

In this **Animated Tutorials** series, one will get a basic ideas of - how **tools** are used to create drawings.

This tutorial will guide step by step to understand from very basic behavior of tools. In other word, it can be an **Animated User Manual**.



Contents of this Tutorial will follow as mentioned below. (Tutorials of remaining tools will be uploaded as soon as it will be ready).

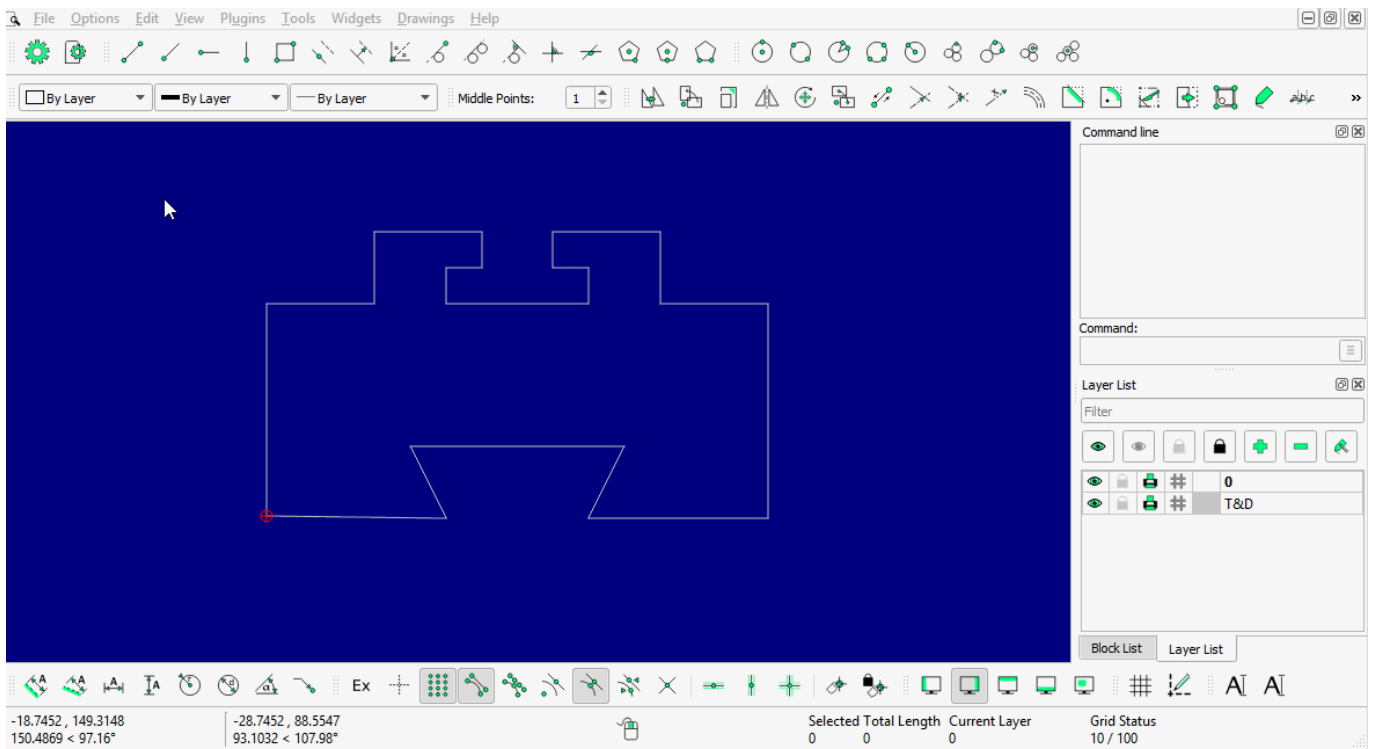
Contents Of Tools

Line	Circle	Modify
2 points	Center Point	Move / Copy
Angle	2 Points	Rotate
Horizontal	2 Points, Radius	Scale
Vertical	3 Points	Mirror
Rectangle	Center, Radius	Move and Rotate
Parallel through points	Tangential 2 Circles, 1 Point	Revert Direction
Parallel	Tangential, 2 Point	Trim
Bisector	Tangential 2 Circles, Radius	Trim Two
Tangent (P,C)	Tangential 3 Circles	Lengthen
Tangent (C,C)		Offset
Tangent Orthogonal		Bevel
Orthogonal		Fillet

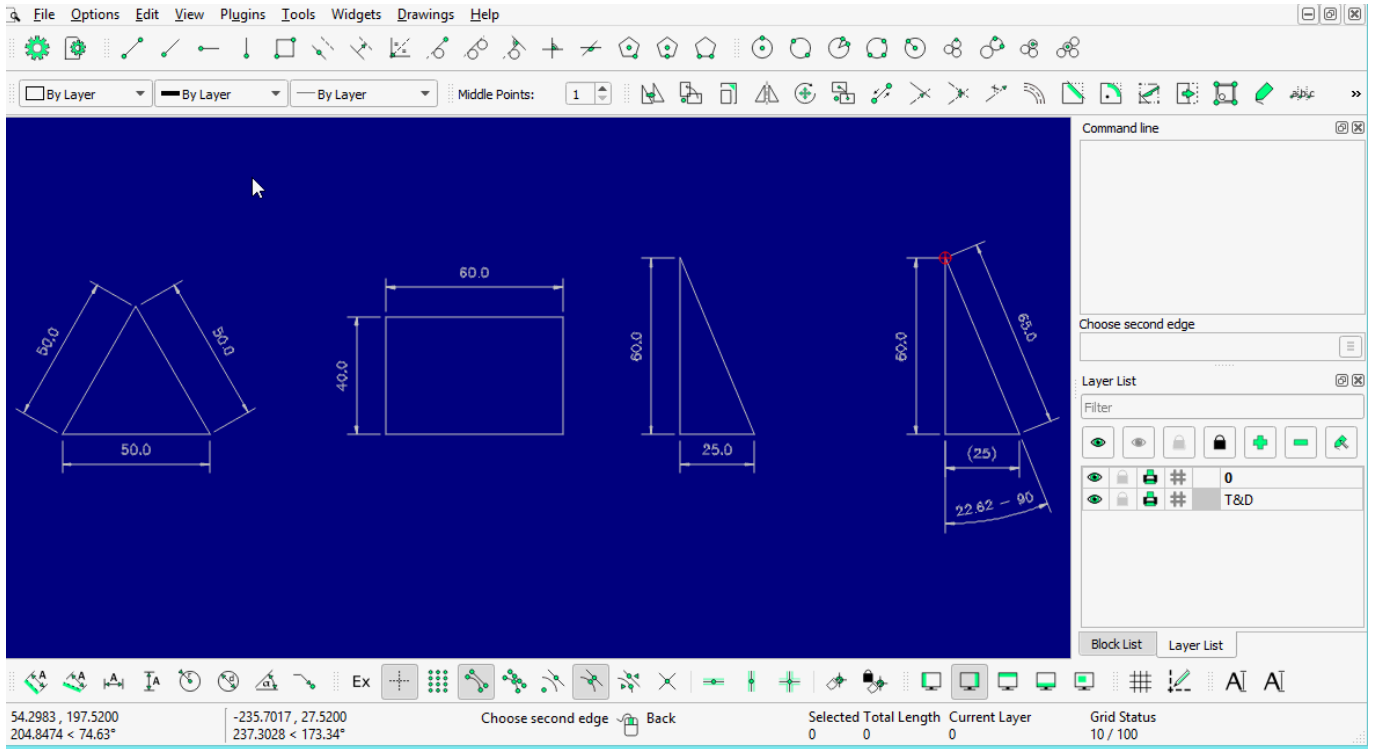
Line	Circle	Modify
Relative Angle		Divide
Polygon (Cen, Cor)		Stretch
Polygon (Cen, Tan)		Properties
Polygon (Cor, Cor)		Attributes
		Explode text
		Explode
		Delete Selected

Tool: LINE

Tool 2 POINTS



2 points with more detail...



From:

<https://dokuwiki.librecad.org/> - Wiki

Permanent link:

<https://dokuwiki.librecad.org/doku.php/usage:animated?rev=1592140309>

Last update: **2020/06/14 13:11**

